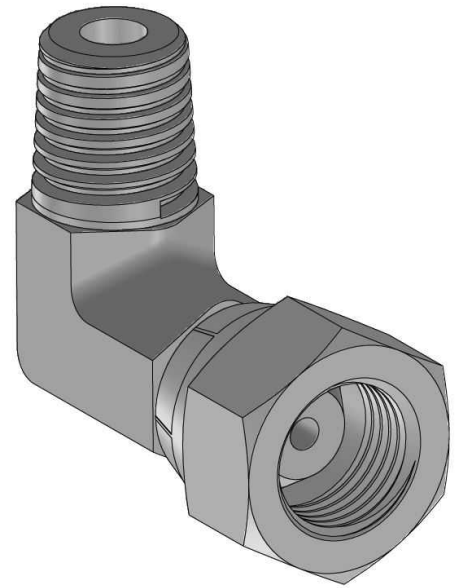
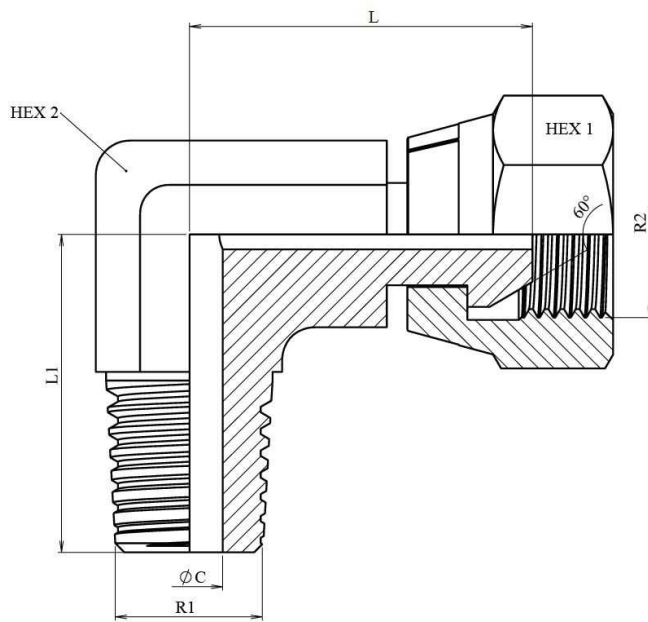


**90° Elbow BSPT male-BSP swivel female (60°)
forge**

Carbon steel



Part n°	R1	R2	L	L1	HEX 1	HEX 2	ØC
S119904	1/4" BSPT	1/4" BSP	21,6	25	19	14	6
S119906	3/8" BSPT	3/8" BSP	25,6	28,5	22	19	8
S119908	1/2" BSPT	1/2" BSP	35	37,5	27	22	11
S119912	3/4" BSPT	3/4" BSP	35,3	40,4	32	27	16,7
S119916	1" BSPT	1" BSP	44	50	41	36	22